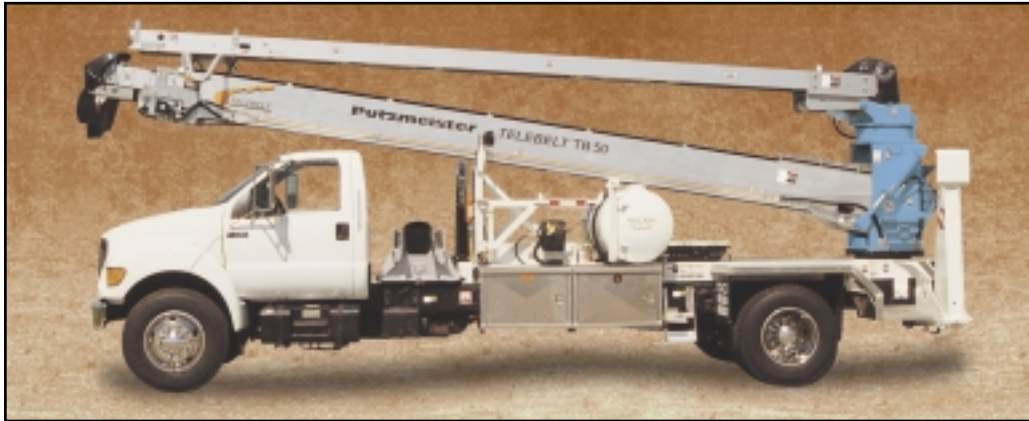


Telebelt® TB 50 Telescopic Belt Conveyor



- 50 ft (15.24m) Horizontal Reach
- 360° Cont. Rotation of Feeder and Main
- Max. Rated Output up to 80 yd³/hr (61m³/hr)
- Handles Concrete from 2" to 8" Slumps
- Places Materials Sized from Sand to 3" (76mm) Rock
- Sets Up and Operates Under Low 14 ft (4.3m) Heights

Boom Two section telescopic boom – aluminum base with one telescopic high strength aluminum section. Simple to operate, one predetermined control lever extends and retracts all boom sections in a synchronized manner, achieving a maximum 50 ft (15.24m) horizontal reach. Maintenance-free sealed roller bearings mean no time wasted greasing and the quick telescoping feature and versatile 360° continuous rotation enables immediate use once on-site, allowing for completion of several projects a day.

Main Conveyor A continuous 16" (406mm) 2-ply nylon core vulcanized spliced belt – hot melt with no staples or mechanical splices – is on a series of highly durable pulleys. An infinitely variable belt speed control from 0 to 525 fpm allows the operator to select the ideal output for the task ... from a low one cubic yard an hour up to a maximum rated 80 cubic yards an hour (61m³/hr). A tungsten carbide blade at the discharge end helps scrape materials back into the pour, keeping the belt and job site clean.

Feeder Belt A versatile 27 ft (8.2m) aluminum hydraulic feed conveyor with 360° continuous rotation allows materials to be loaded from virtually any position desired. Feed the 16" (406mm) belt via mixer truck, dump truck, skid-steer loader or front-end loader. A sturdy feeder hopper can accommodate the toughest of mixes as well as aggregates from sand to 3" (76mm) rock – with no priming necessary.

Independent Conveyors A unique patented hydraulic swivel design allows for independent control of the feed and main conveyor systems. Both conveyors are capable of "independent" 360° continuous rotation and elevation. Independent conveyors offer greater versatility and quicker set up and placement for increased efficiency on the job.

Boom Control and Operation Main conveyor functions are controlled through a Modular Boom Control (MBC) system. Unlike a stacked valve

arrangement, this unique modular approach allows maintenance on a single valve without removing the entire valve assembly. This reduces labor and parts costs, yet improves overall machine control. All boom and belt functions are at the operator's fingertips via the lightweight standard proportional radio remote control. This ergonomic design features main and feeder elevation; main conveyor rotation and telescopic functions; and main and feeder on/off. Additionally, the TB 50 comes with a standard "black and white" 65 ft (19.8m) cable remote for sites that do not permit the use of the radio remote. The unit is also equipped with an operator's control station from where all functions can be operated manually in emergency situations.

Handling Concrete Mixes Due to the unique style of conveying, keep concrete mix designs matched exactly to customer specs. As admixtures are not needed to help place concrete, the TB 50 can convey harsh mixes from 2" to 8" (50 to 203mm) slumps without separation.

Trunk or End Hose The unit comes equipped with a standard 8" (203mm) tremie, 8 ft (2.4m) and 12 ft (3.6m) end hoses, and chain binder. Smooth surge-free concrete and material conveying results. This unique system reduces labor costs and makes life easier on the hoseman.

Power Three hydraulic circuits are driven by a single standard PTO. A low engine rpm and only 46 hp (34kW) are needed to run the Telebelt at full capacity for reduced noise levels, less fuel consumption and lowered maintenance costs.

Outriggers A single pair of rear up/down outriggers (with bubble level indicator) allows quick and easy setup in congested areas, whether on solid or rough terrain. This design helps to quickly complete jobs from one convenient setup location and eliminate the need for all-wheel drive mixer trucks. Rear outriggers hydraulically extend down in a compact 18 ft (5.5m) footprint.

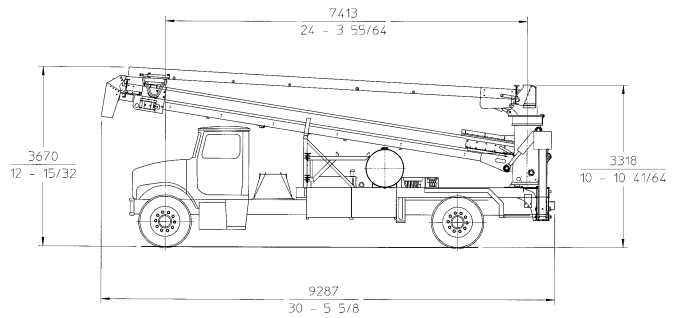
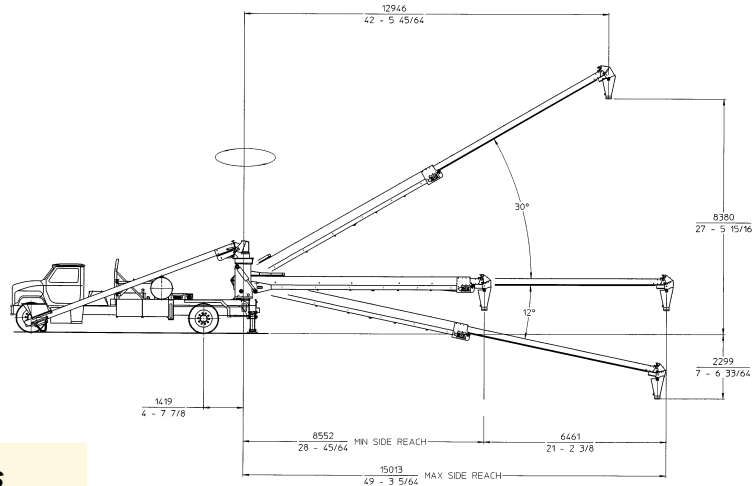
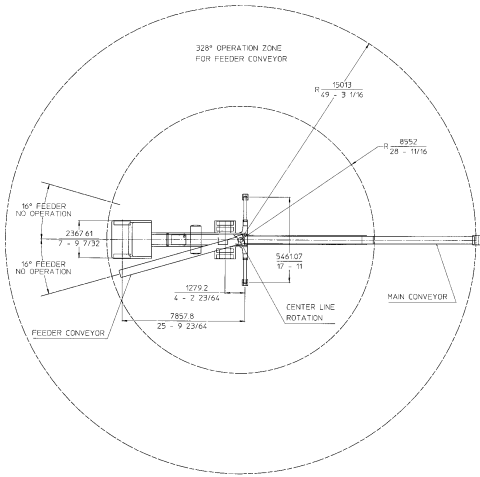
Clean Out To quickly clean the belts, just run water into the feeder hopper and up the belt. Cleaning the spring tensioned scraper system is easy with the 1670 psi (115 bar) hydraulic-driven wash-out system, featuring a 200 gallon (757L) aluminum water tank. When utilizing a conveyor, no additional concrete must be disposed of when finished with the job, so order only what you need ... savings that add up daily.

Additional Standard Features Aluminum diamond deck work platforms, large side-mounted aluminum tool boxes, wood pads/dunnage with side compartment, rear-mounted electrical outlet (12V/20amp), emergency stop buttons, high quality paint finish, operator's manuals, and ship-away kit are in addition to all standard features mentioned above.

Options Front-end loader hopper and custom paint schemes are optional. Consult factory for options not listed.



Specifications TB 50 Belt Conveyor



TB 50 Belt Conveyor Specifications

Conveyor horizontal reach –		
Maximum at 0°	50'	(15.24m)
Maximum at 30°	42'6"	(12.9m)
Conveyor belt width	16"	(406mm)
Feed conveyor length	27'	(8.2m)
Feed conveyor belt width	16"	(406mm)
Trunk/end hose length	8'	(2.4m)
	12'	(3.6m)
Discharge height –		
Maximum at 30°	27'6"	(8.4m)
Maximum at -12°	-19'7"	(-6.0m)
Rated capacity at 0°		
main & feed conveyors	80 yd ³ /hr	(61m ³ /hr)
Rated capacity up to 20°		
main & feed conveyors	50 yd ³ /hr	(38m ³ /hr)

Maximum theoretical values listed above.

Outriggers

Net reach beyond outriggers –		
at 0 degrees	47'6"	(14.5m)
at 30 degrees	40'9"	(12.4m)
Outrigger spread – rear only	18'	(5.5m)

General Specifications

Water tank capacity	200 gal	(757L)
Hydraulic oil tank capacity	40 gal	(151L)

Truck Specifications

	International 4700 Series	
Weight - chassis only	10,090 lbs	(4577kg)
Engine horsepower	215 hp	(160kW)
Wheelbase	254"	(6452mm)
Cab height	67"	(1702mm)
Steering radius (outside)	33'	(10.06m)
Steering angle	36°	
Fuel tank capacity	43 gal	(163L)
Transmission	International 6-PLUS 7 Speed	

All specifications apply to units mounted on International 4700 Series.
TB 50 can be mounted on a different chassis, if requested.

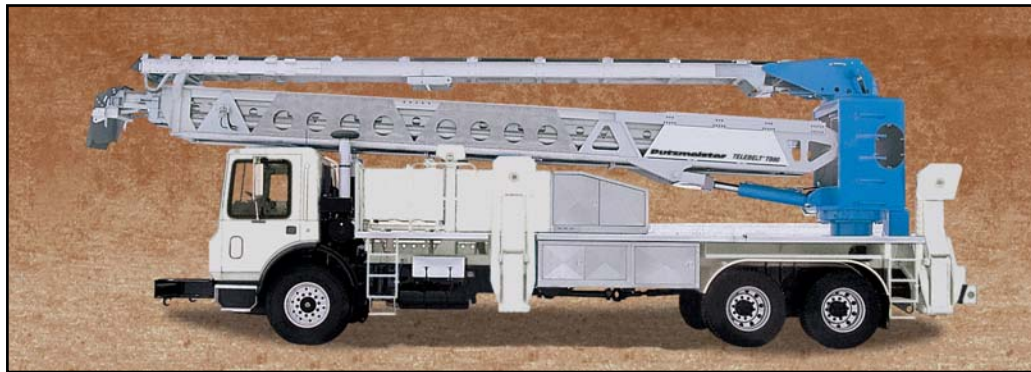
Right to make technical amendments reserved.



Putzmeister America
1733 90th Street
Sturtevant
Wisconsin 53177 USA

Telephone (262) 886-3200
(800) 884-7210
Facsimile (262) 884-6338
www.putzmeister.com

Telebelt® TB 80 Telescopic Belt Conveyor



- **80 ft (24.4m) Horizontal Reach**
- **360° Cont. Rotation of Feeder and Main**
- **Max. Rated Output up to 360 yd³/hr (275m³/hr)**
- **Handles Concrete from 0" - 12" Slumps**
- **Places Materials Sized from Sand to 4" (100mm) Rock**
- **Sets Up and Operates Under Low 14 ft 9 in (4.5m) Heights**

Boom Three section telescopic boom – steel/aluminum base with two telescopic high strength aluminum sections. Simple to operate, one predetermined control lever extends and retracts all boom sections in a synchronized manner. At full extension, an 80 ft horizontal reach is achieved, making the net reach comparable to a 28-Meter concrete boom pump. Maintenance-free sealed roller bearings mean no time wasted greasing, and the quick telescoping feature and versatile 360° continuous rotation enables immediate use once on-site, allowing for completion of several projects a day.

Main Conveyor A continuous 18"(457mm) 2-ply nylon core vulcanized spliced belt – hot melt with no staples or mechanical splices – is on a series of highly durable pulleys. An infinitely variable belt speed control from 0 to 10 allows the operator to select the ideal output for the task ... from a low 1 yard an hour up to a maximum rated 360 cubic yards an hour (275m³/hr). A tungsten carbide blade at the discharge end helps scrape materials back into the pour, keeping the belt and job site clean.

Feeder Belt A versatile 35 ft (10.7m) 2-section aluminum "active" hydraulic feed conveyor with 360° continuous rotation allows materials to be loaded from virtually any position desired. Feed the 18" (457mm) belt via mixer truck, dump truck, skid-steer loader or front-end loader. A sturdy UHMW polyethylene feeder hopper can accommodate the toughest of mixes as well as aggregates from sand to 4" (100mm) rock – with no priming necessary.

Independent Conveyors A unique patented hydraulic swivel design allows for active independent control of the feed and main conveyor systems. Both conveyors are now capable of independent 360° continuous rotation, as well as elevation, all from the standard proportional radio remote control. Independent conveyors offer greater versatility and quicker set up and placement for increased efficiency on the job.

Boom Control and Operation Main conveyor functions are controlled through a **Modular Boom Control (MBC)** system. Unlike a stacked valve arrangement this unique modular approach allows maintenance on a single valve without removing the entire valve assembly. This reduces labor and parts costs, yet improves overall machine control. All boom and belt functions are at the operator's fingertips via the lightweight standard proportional radio remote control. This ergonomic design features main and feeder rotation and elevation; main conveyor telescopic functions; main and feeder on/off and variable independent belt speed control. Additionally, the TB 80 comes with a standard "black and white" 90 ft (27m) cable remote for sites that do not permit the use of the radio remote. The unit is also equipped with an operator's control station from where all functions can be operated manually in emergency situations.

Handling Concrete Mixes Due to the unique style of conveying, keep concrete mix designs matched exactly to customer specs. As admixtures are not needed to help place concrete, the TB 80 can convey harsh mixes from 0" to 12" (305mm) slumps without worry of inconsistency.

Trunk or End Hose The unit comes equipped with standard 8" (203mm) and 12" (305mm) tremies, each with 15 ft (4.57m) end hoses, and chain binder. Smooth surge-free concrete and material conveying results. This unique system reduces labor costs and makes life easier on the hoseman. To handle large aggregate and high volume pours, the 12" (305mm) package is the ideal choice with a simple and quick interchangeable design.

Power Four hydraulic circuits are driven by two full horsepower rated air shift rear PTOs from the Mack MR 688S 350 hp engine. A low engine rpm and only 135 hp (100kW) are needed to run the Telebelt at full capacity for reduced noise levels, less fuel consumption and lowered maintenance costs.

Outriggers Unique hydraulic up/down design allows quick and easy setup in congested areas, whether on solid or rough terrain. This helps to quickly complete jobs from one convenient setup location and eliminate the need for all-wheel drive mixer trucks. Front and rear outriggers hydraulically telescope out and down in a compact 17 ft (5.2m) footprint.

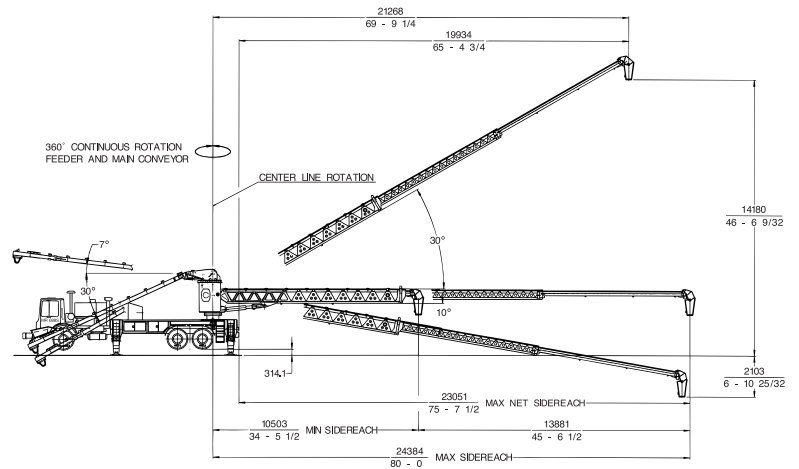
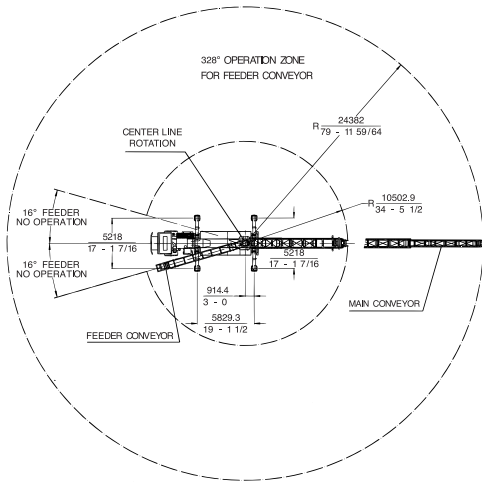
Clean Out To quickly clean the belts, just run water into the feeder hopper and up the belt. Cleaning the spring tensioned scraper systems is easy with the high pressure 2500 psi (173 bar) hydraulically-driven water pump system with adjustable nozzle and 170 gallon (644L) aluminum water tank. And remember when conveying, no additional concrete must be disposed of when finished with the job, so order only what you need...savings add up daily.

Additional Standard Features Aluminum diamond deck work platforms, large side-mounted aluminum tool boxes, emergency stop buttons, high quality paint finish, operator's manuals and ship-away kit are in addition to all the standard features mentioned above.

Options Rock hopper, front-end loader hopper, low profile hopper, side loading channels, and custom paint schemes are optional. Consult factory for options not listed.



Specifications TB 80 Belt Conveyor



TB 80 Belt Conveyor Specifications

Conveyor horizontal reach –		
Maximum at 0°	80'	(24.4m)
Maximum at 30°	70'	(21.3m)
Conveyor belt width	18"	(457mm)
Feed conveyor length	35'	(10.7m)
Feed conveyor belt width	18"	(457mm)
Trunk/end hose length	15'	(4.57m)
Discharge height –		
Maximum at 30°	46'6"	(14.2m)
Maximum at -10°	-21'11"	(-6.8m)

Rated capacity at 0°	6 yd ³ /min	(4.6m ³ /min)
main & feed conveyors	360 yd ³ /hr	(275m ³ /hr)
Rated capacity up to 20°	3.8 yd ³ /min	(2.9m ³ /min)
main & feed conveyors	230 yd ³ /hr	(175m ³ /hr)

Maximum theoretical values listed above.

Outriggers

Net reach beyond outriggers –		
at 0 degrees	75'8"	(23m)
at 30 degrees	65'5"	(20m)
Outrigger spread –		
front, hydraulic up/down	17'1"	(5.2m)
rear, hydraulic up/down	17'1"	(5.2m)

General Specifications

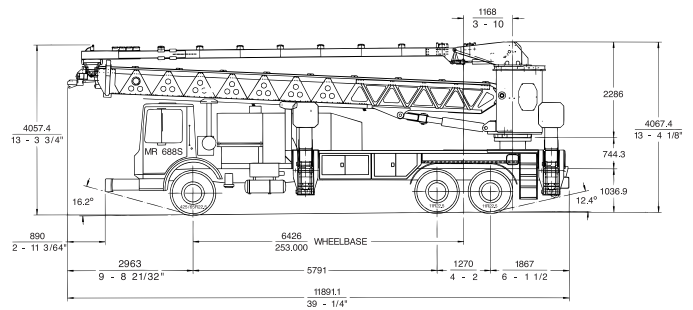
Water tank capacity	170 gal	(644L)
Hydraulic oil tank capacity with cooler	100 gal	(379L)

Truck Specifications

Mack MR 688S

Weight	18,180 lbs	(8246kg)
Engine horsepower	350 hp	(260kW)
Wheelbase	253"	(6426mm)
Cab height	105"	(2667mm)
Steering radius (outside)	46'	(14m)
Steering angle	30°	
Fuel tank capacity	80 gal	(302.8L)
Transmission	Mack T2090 9 Speed	

All specifications apply to units mounted on Mack MR 688S.



Transport Axle Weights - lbs. (kg)

Based on Model Mack MR 688S

Steering	Tandem	Total
19,617 (8897)	33,383 (15140)	53,000 (24037)

Weights are approximate and include conveyor truck, full hydraulic oil, fuel, driver and 100 gal (379L) of water. Dimensions vary with different truck makes, models and specifications.

Right to make technical amendments reserved.



Putzmeister America
1733 90th Street
Sturtevant
Wisconsin 53177 USA

Telephone (262) 886-3200
(800) 884-7210
Facsimile (262) 884-6338
www.putzmeister.com